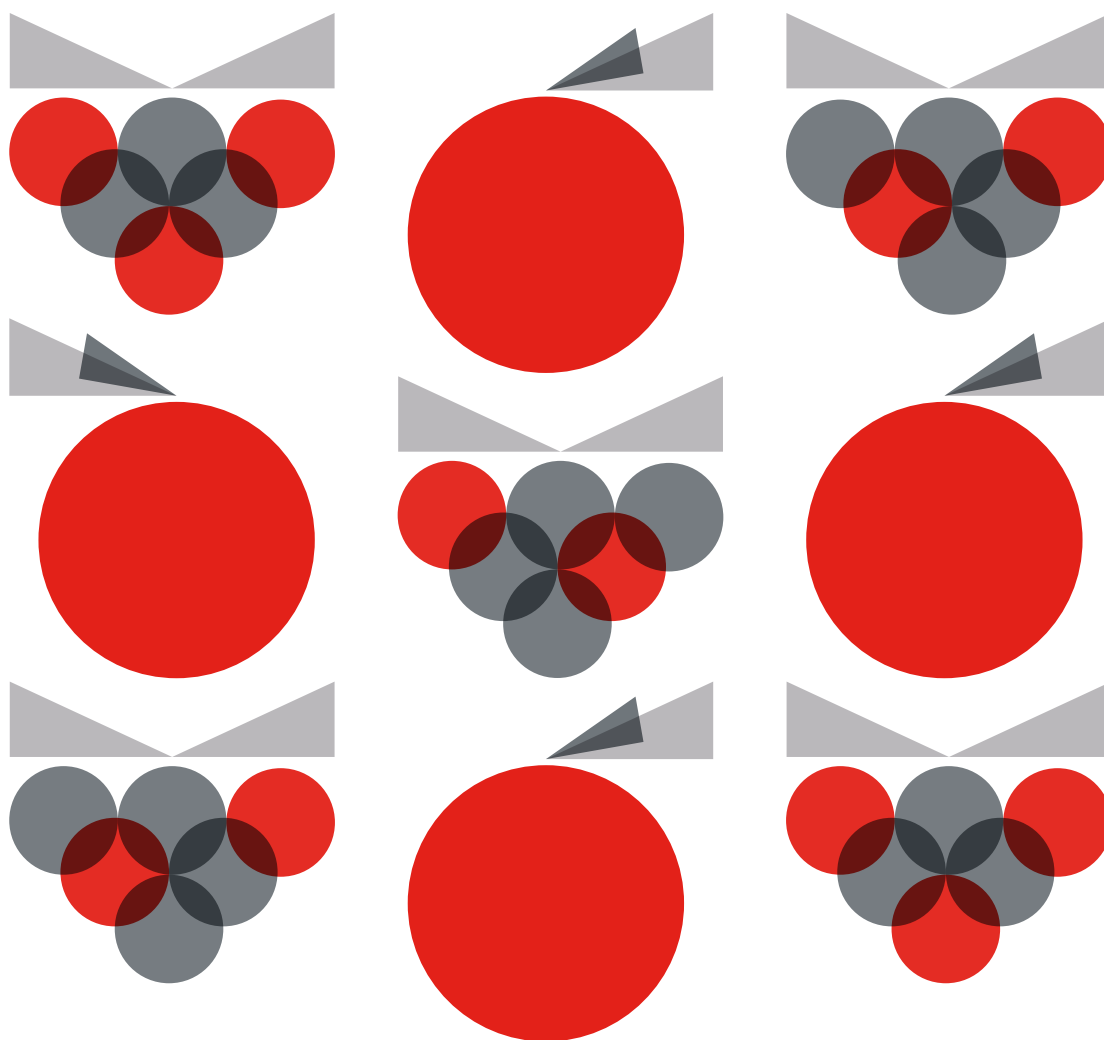


CARRARO
Agricube PRO

Carraro Agricube Pro 8.5



Data Sheet
Scheda tecnica

Carraro Agricube Pro 8.5

Data sheet / Scheda tecnica

✓ STANDARD ○ OPTION		V	VL	F	FL	VLB	FB
Engine / Motore							
Manufacturer & model <i>Costrutture & modello</i>		✓ FPT F28	✓ FPT F28	✓ FPT F28	✓ FPT F28	✓ FPT F28	✓ FPT F28
Motore <i>Engine</i>		✓ F28 DOC DPF	✓ F28 DOC DPF	✓ F28 DOC DPF	✓ F28 DOC DPF	✓ F28 DOC DPF	✓ F28 DOC DPF
Cylinders/valves <i>Cilindri/valvole</i>	No	✓ 4/2	✓ 4/2	✓ 4/2	✓ 4/2	✓ 4/2	✓ 4/2
Cubic capacity <i>Capacità cubica</i>	cm³	✓ 2800	✓ 2800	✓ 2800	✓ 2800	✓ 2800	✓ 2800
Injection <i>Iniezione</i>		✓ Common rail	✓ Common rail	✓ Common rail	✓ Common rail	✓ Common rail	✓ Common rail
Certification <i>Certificazione</i>		✓ Stage V	✓ Stage V	✓ Stage V	✓ Stage V	✓ Stage V	✓ Stage V
Rated power (ISO) <i>Potenza nominale (ISO)</i>	kW/hp	✓ 55/ 74.8	✓ 55/ 74.8	✓ 55/ 74.8	✓ 55/ 74.8	✓ 55/ 74.8	✓ 55/ 74.8
Maximum power (ISO) <i>Potenza massima (ISO)</i>	kW/hp	✓ 55/ 74.8	✓ 55/ 74.8	✓ 55/ 74.8	✓ 55/ 74.8	✓ 55/ 74.8	✓ 55/ 74.8
Rated speed <i>Velocità nominale</i>	rpm	✓ 2300	✓ 2300	✓ 2300	✓ 2300	✓ 2300	✓ 2300
Maximum torque <i>Coppia massima</i>	Nm @rpm	✓ 358@1500	✓ 358@1500	✓ 358@1500	✓ 358@1500	✓ 358@1500	✓ 358@1500
Fuel tank capacity <i>Capacità serbatoio</i>	lt	✓ 72	✓ 72	✓ 72	✓ 72	✓ 72	✓ 72
Optional fuel tank capacity with front PTO <i>Capacità serbatoio opzionale con PTO anteriore</i>	lt	○ 34	○ 34	○ 34	○ 34	○ 34	○ 34
Fuel tank capacity with front PTO <i>Capacità serbatoio con PDF anteriore</i>	lt	○ 52	○ 52	○ 52	○ 52	○ 52	○ 52
LH Horizontal exhaust <i>Silenziatore orizzontale lato SX</i>		✓	✓	✓	✓	✓	✓
LH Vertical exhaust (cab) <i>Silenziatore verticale lato SX (cabina)</i>		○	○	○	○	—	—
DOC/ DPF under bonnet <i>DOC/ DPF sotto cofano</i>		✓	✓	✓	✓	✓	✓
Electrical system / Sistema elettrico							
Battery <i>Batteria</i>	Ah	✓ 80	✓ 80	✓ 80	✓ 80	✓ 80	✓ 80
Alternator <i>Alternatore</i>	Ah	✓ 100	✓ 100	✓ 100	✓ 100	✓ 100	✓ 100
Starter engine <i>Motorino d'avviamento</i>	kW	✓ 3.2	✓ 3.2	✓ 3.2	✓ 3.2	✓ 3.2	✓ 3.2
Transmission / Trasmissione							
Manufacturer & model <i>Costrutture & modello</i>		✓ Carraro/ T100+30	✓ Carraro/ T100+30	✓ Carraro/ T100+30	✓ Carraro/ T100+30	✓ Carraro/ T100+30	✓ Carraro/ T100+30
Forward & reverse gears, mechanical HI-LO, mechanical reverse <i>Marce avanti & retro, HI-LO meccanico, inversore meccanico</i>		○ 24+24	○ 24+24	○ 24+24	○ 24+24	○ 24+24	○ 24+24

✓ STANDARD ○ OPTION	V	VL	F	FL	VLB	FB
Forward & reverse gears, hydraulic HI-LO, power reverse <i>Marce avanti & retro, HI-LO idraulico, inversore idraulico</i>	○ 24+12	○ 24+12	○ 24+12	○ 24+12	○ 24+12	○ 24+12
Gear box <i>Rapporti cambio</i>	✓ 4 sincrono	✓ 4 sincrono	✓ 4 sincrono	✓ 4 sincrono	✓ 4 sincrono	✓ 4 sincrono
Range <i>Gamme</i>	✓ 3 H/M/L	✓ 3 H/M/L	✓ 3 H/M/L	✓ 3 H/M/L	✓ 3 H/M/L	✓ 3 H/M/L
Speed range <i>Gamma velocità</i>	km/h ✓ 0,5-40	✓ 0,5-40	✓ 0,5-40	✓ 0,5-40	✓ 0,5-40	✓ 0,5-40
Rear PTO / PdF posteriore						
Mechanical (with 24+24) <i>Meccanica (con 24+24)</i>	○ 540/540E	○ 540/540E	○ 540/540E	○ 540/540E	○ 540/540E	○ 540/540E
Mechanical (with 24+24) <i>Meccanica (con 24+24)</i>	○ 540/1000	○ 540/1000	○ 540/1000	○ 540/1000	○ 540/1000	○ 540/1000
Electro Hydraulic (with 24+12) <i>Elettro-idraulica (con 24+12)</i>	○ 540/540E	○ 540/540E	○ 540/540E	○ 540/540E	○ 540/540E	○ 540/540E
Electro Hydraulic (with 24+12) <i>Elettro-idraulica (con 24+12)</i>	○ 540/1000	○ 540/1000	○ 540/1000	○ 540/1000	○ 540/1000	○ 540/1000
Ground speed <i>Sincro</i>	○	○	○	○	○	○
Clutch / Frizione						
Independent, dry, cerametallic, 12" <i>Indipendente, a secco, 12" in cerametallic</i>	✓	✓	✓	✓	✓	✓
Brakes / Freni						
Mechanical & hydraulic, 10 disks, in oil bath <i>Meccanico ed idraulico, 10 dischi bagno olio</i>	✓	✓	✓	✓	✓	✓
Rear Differential lock / Bloccaggio differenziale posteriore						
Mechanical with EI engagement <i>Meccanico con innesto elettro-idraulico</i>	✓	✓	✓	✓	✓	✓
Front axle / Assale anteriore						
Manufacturer <i>Costrutture</i>	✓ Carraro	✓ Carraro	✓ Carraro	✓ Carraro	✓ Carraro	✓ Carraro
4WD <i>4RM</i>	✓	✓	✓	✓	✓	✓
Suspended axle (cab) <i>Assale sospeso (cabina)</i>	○	○	○	—	—	—
Maximum steering angle <i>Angolo massimo di sterzata</i>	✓ 55	✓ 55	✓ 55	✓ 55	✓ 55	✓ 55
Swing angle base (fenders) <i>Angolo di oscillazione base (parafanghi)</i>	✓ 8 (6)	✓ 8 (6)	✓ 8 (6)	✓ 8 (6)	✓ 8 (6)	✓ 8 (6)
Flange to Flange cab <i>Flangia a flangia cabina</i>	mm ✓ 925	✓ 990	✓ 1325	○ 1460 ✓ 1640	✓ 1125	✓ 1325
Dog clutch <i>Innesto meccanico</i>	✓	✓	✓	✓	✓	✓
Hydraulic wet clutch <i>Innesto idraulico</i>	○	○	○	○	○	○
Steering angular sensor for automatic 4WD engagement <i>Sensore angolare di sterzata per innesto automatico 4WD</i>	○	○	○	—	—	—

✓ STANDARD ○ OPTION		V	VL	F	FL	VLB	FB
Flange to flange / Flangia a flangia							
Rear Posteriore	mm	892	972	1242	1540	972	1242
Operator station / Posto operatore							
OOS, open operator station with front tiltable rops <i>Posto operatore aperto con struttura di protezione anteriore abbattibile</i>		—	—	○	○	○	○
Cabin with air conditing system, suspended on 4 silent block CAT2 <i>Cabina con aria condizionata, 4 montanti, su silent block CAT2</i>		○	○	○	○	—	—
Fix steering wheel <i>Volante con colonna fissa</i>		✓	✓	✓	✓	✓	✓
Tiltable steering wheel (oos) <i>Volante con colonna reclinabile (oos)</i>		—	—	(○)	(○)	○	○
Tiltable & telescopic steering wheel (oos) <i>Volante con colonna reclinabile e telescopica (oos)</i>		○	○	○	○	—	—
Rear wash wiper (cab) <i>Tergicristallo posteriore (cabina)</i>		✓	✓	✓	✓	✓	—
Rearview mirror inside cab <i>Specchietto interno cabina</i>		✓	✓	✓	✓	✓	—
RH & LH external mirrors <i>Specchie esterni lato DX e SX</i>		✓	✓	✓	✓	✓	✓
Engine memo 1/ engine memo 2 <i>Memoria motore 1 / memoria motore 2</i>		✓	✓	✓	✓	✓	✓
Lighting / Luci							
2 front oval + 2 rear oval halogen worklamps <i>2 luci lavoro ovali anteriori + 2 luci lavoro ovali posteriori, alogene</i>		✓	✓	✓	✓	✓	✓
H3 working lights (cab) <i>Luci lavoro H3 (cabina)</i>		○	○	○	○	—	—
H4 road lights (cab) <i>Luci strada H4 (cabina)</i>		○	○	○	○	—	—
Beacon light <i>Girofaro</i>		○	○	○	○	○	○
Hydraulic / Idraulica							
2 hydraulic pumps <i>2 pompe idrauliche</i>	lt/min @ 2300rpm	✓ 60+27	✓ 60+27	✓ 60+27	✓ 60+27	✓ 60+27	✓ 60+27
3 hydraulic pumps (opt) <i>3 pompe idrauliche (opz)</i>	lt/min @ 2300rpm	○ 60+27+27	○ 60+27+27	○ 60+27+27	○ 60+27+27	○ 60+27+27	○ 60+27+27
2 Mech distributors : 1SE/DE detent + 1SE/DE floating <i>2 Distributori mec: 1SE/DE detent + 1SE/DE flottante</i>		✓	✓	✓	✓	✓	✓
3 Mech distributors : 1SE/DE floating + 1SE/DE floating + 1SE/DE detent <i>3 Distributori mec 1SE/DE flottante + 1SE/DE flottante + 1SE/DE detent</i>		○	○	○	○	○	○
3 Mech distributors : 1SE/DE floating + 1SE/DE floating + FC+ 1SE/DE detent <i>3 Distributori mec: 1SE/DE flottante + 1SE/DE flottante + CF+ 1SE/DE detent</i>		○	○	○	○	○	○

✓ STANDARD ○ OPTION	V	VL	F	FL	VLB	FB
4 Mech distributors : 1SE/DE detent + 1SE/DE floating + 1SE/DE detent + FC + 1SE/DE detent 4 Distributori mec: 1SE/DE detent + 1SE/DE flottante + 1SE/DE detent + CF+ 1SE/DE detent	○	○	○	○	—	—
4 Electro-hydraulic distributors (cab) compensated and proportional 4 Distributori elettroidraulici (cab): compensati e proporzionali	○	○	○	○	—	—
4 side couplers 4 prese laterali	○	○	○	○	—	—
6 side couplers 6 prese laterali	○	○	○	○	—	—
Free oil return Ritorno libero olio	✓	✓	✓	✓	✓	✓
Leackage collectors Raccogli gocce	○	○	○	○	○	○
Mechanical vertical rod Tirante verticale meccanico	✓	✓	✓	✓	✓	✓
Hydraulic vertical rod with filter Tirante verticale idraulico con filtro	○	○	○	○	○	○
Pressure filter for distributors Filtro pressione per distributori	✓	✓	✓	✓	✓	✓
Three point hitch / Attacco tre punti						
Fix shaped ball ends (CAT2) Parallele fisse a rotule (CAT2)	—	○	○	○	—	—
Fix shaped quick hook end (CAT2) Parallele fisse a gancio rapido (CAT2)	—	—	—	○	—	○
Adjustable quick hook ends (CAT1 e CAT2) Parallele regolabili a gancio rapido (CAT1 e CAT2)	○	○	○	—	○	○
Adjustable ball ends (CAT1 e CAT2) Parallele regolabili a rotule (CAT1 e CAT2)	○	○	○	—	○	—
Rear lift / Sollevatore posteriore						
Mechanical rear lift Sollevatore meccanico	✓	✓	✓	✓	✓	✓
Electronic rear lift Sollevatore elettronico	○	○	○	○	—	—
Maximum rear lift capacity at ball ends Capacità massima di sollevamento alle rotule	✓ 2600 kg	✓ 2600 kg	✓ 2600 kg	✓ 2600 kg	✓ 2600 kg	✓ 2600 kg
3 ton lift rod Martinetto sollevamento 3ton	—	○	○	○	—	—
Deport & electro-hydraulic lower links control Deport e controllo elettro-idraulico delle parallele	○	○	○	○	—	—
Tractor colour / Colore carrozzeria						
Carraro grey Grigio Carraro	✓	✓	✓	✓	✓	✓
Carraro red Rosso Carraro	○	○	○	○	○	○
Carraro green Verde Carraro	○	○	○	○	○	○

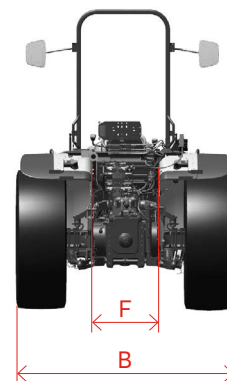
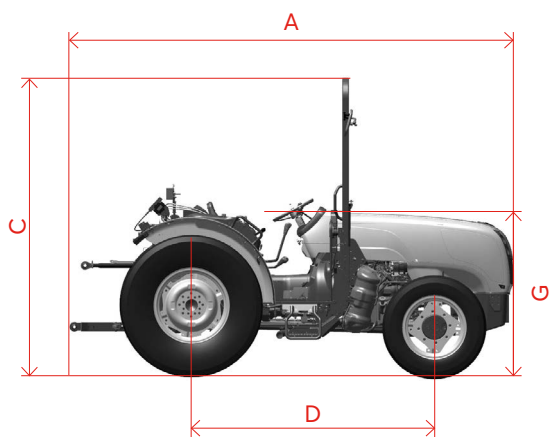
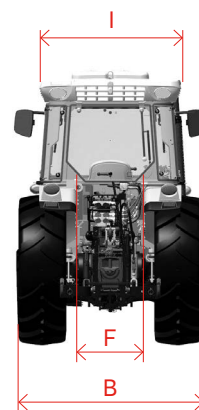
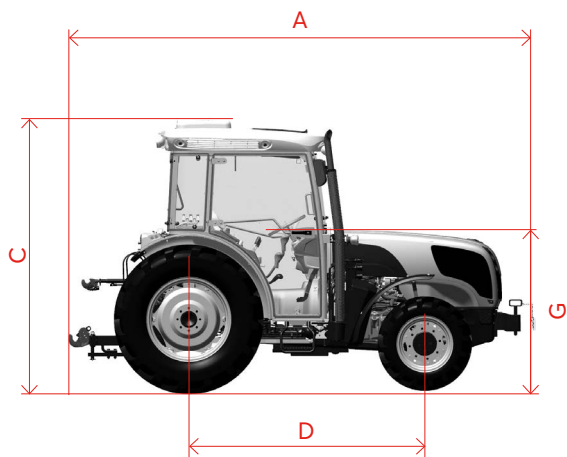
Ruote / Tyres

✓ STANDARD ○ OPTION

	V	VL	F	FL	VLB	FB
Front tyres standard <i>Ruote anteriori standard</i>	✓ 240/70R16	✓ 280/70R18	✓ 280/70R20	✓ 300/70R20	✓ 280/70R16	✓ 280/70R16
Rear tyres standard <i>Ruote posteriori standard</i>	✓ 320/85R24	✓ 380/70R28	✓ 380/70R28	✓ 420/70R28	✓ 360/70R24	✓ 360/70R24
Other options available 20" <i>Possibilità di altre opzioni 20"</i>	—	—	—	—	○	○
Other options available 24" <i>Possibilità di altre opzioni 24"</i>	○	○	○	○	○	○
Other options available 28" <i>Possibilità di altre opzioni 28"</i>	○	○	○	○	—	—
Rear 600/55-26.5 <i>Ruote posteriori 600/55-26.5</i>	—	—	○	○	—	—
Transport tyres <i>Ruote per trasporto</i>	○	○	○	○	○	○

Dimensions and Weights / Dimensioni e pesi

Dimensions / Dimensioni		V	VL	F	FL	VLB	FB
A Overall length A Lunghezza	mm	3980	3980	3980	3980	3980	3980
B Overall width, min/max B Fuori tutto min/max	mm	1181/1462	1436/1604	1544/1944	1684/2197	1336/1596	1532/1792
D Wheelbase D Passo	mm	2178	2178	2154	2154	2114	2105
H Front & Rear ground clearance H Luce libera ant. e pos.	mm	210/230	210/230	270/316	270/316	210/230	210/230
C Height at cab C Altezza alla cabina	mm	2390	2396	2478	2478	1880	—
C Height at OOS C Altezza alla roll bar	mm	—	—	—	—	2390	2390
G Height at hood G Altezza al cofano	mm	1350	1350	1400	1400	1300	1300
I Cabin width I Larghezza cabina	mm	1040	1040	1200	1200	1070	—
Weights / Pesì							
Unladen weight (cab tractor, w/o driver, full tank) Peso senza zavorre (trattore cabina, senza conducente, serbatoio pieno)	kg	2880	2940	3050	3140	2790	—
Unladen weight (OOS tractor, w/o driver, full tank) Peso senza zavorre (trattore roll bar, senza conducente, serbatoio pieno)	kg	—	—	2785	2875	2680	2740
Max. permissible weight Peso massimo consentito	kg	4400	4400	4400	4400	4200	4200



CARRARO *Agricube PRO*

Carraro
Agricube Pro 8.5

